

EDITION 05/2010

WINDOW AND DOOR SYSTEM 40C



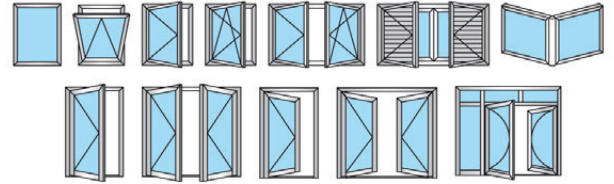
alutteams
Aluminium Profile Systems

alutteams
Aluminium Profile Systems

WINDOW AND DOOR SYSTEM 40C

TECHNICAL INFORMATION

Window & Door Opportunities



System Properties

- Modern Design
- Wall Thickness : 1.2 - 1.3 mm
- Frame Height : 40 mm
- Vent Height : 45 mm
- Safety Drainage System
- EPDM Gaskets
- Glazing From 4 mm to 22 mm

40C ALUminium

Euro Groove 1

40C PERImetric

- * Perimetric Groove suitable for 9 axis and 20 mm hinge mounting dimension
- * 09-156-00 extruded joint is suitable for GU unijet - D and Aubi A300

Code Logic

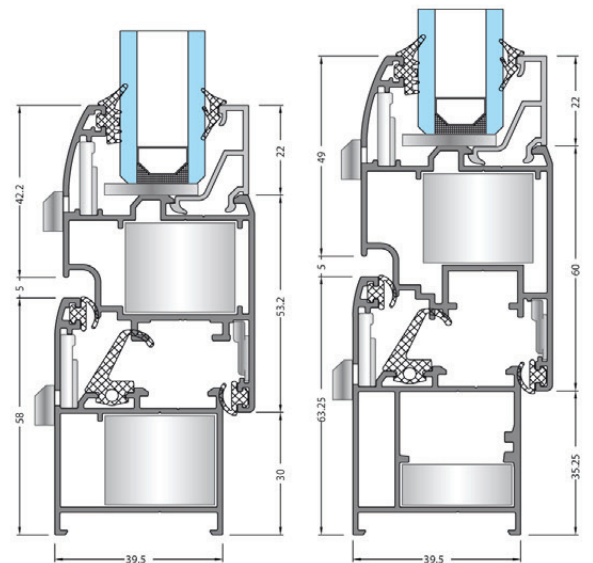
40C	101	00	
Group		Factory Standard	
Title			

Titles

- 40C - System Name
- 07 - Alternative Adaptors
- 08 - Glazing Beats
- 09 - Extruded Corner Joints

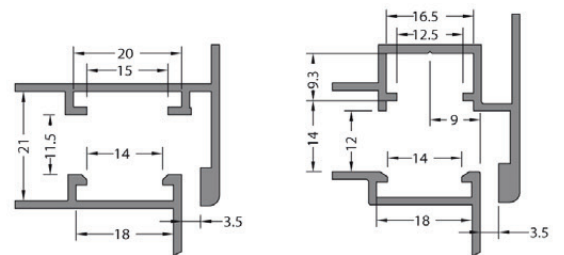
Groups

- 101, 102,... - Frames
- 201, 251,... - Vents
- 301, 302,... - Mullions
- 401, 402,... - Kick Plates and Adaptors
- 501, 502,... - Adaptors



Euro Groove Section 1

Perimetric Section



Alloy

The alloys of the aluminium profiles are 6060 and 6063 (AlMgSi 0,5 - F22) based on EN 12020-2 / 755-9 standarts

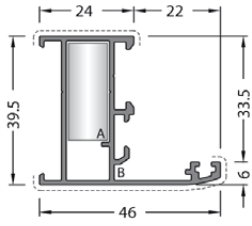
All drawings are not scaled.

alu teams
Aluminium Profile Systems



TÜV Rheinland
Berlin Brandenburg

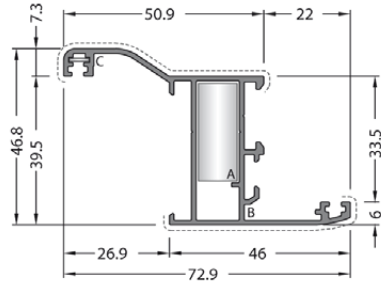
aluminiumgroove



CODE
40C-101-00
THEORETICAL WEIGHT kg/m
0.594

EXTRUDED CORNER JOINT
A CC-101-26.5
B FUJI 2000

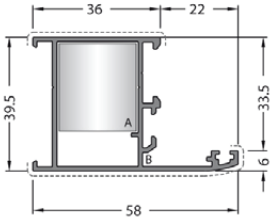
DIE-CAST CORNER JOINT
LC-1127



CODE
40C-102-00
THEORETICAL WEIGHT kg/m
0.756

EXTRUDED CORNER JOINT
A CC-101-26.5
B FUJI 2000
C MO 19

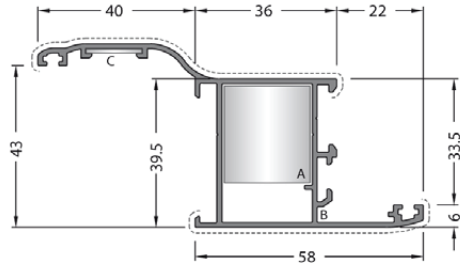
DIE-CAST CORNER JOINT
A LC-1127



CODE
40C-103-00
THEORETICAL WEIGHT kg/m
0.701

EXTRUDED CORNER JOINT
A CC-103-26.5
B FUJI 2000

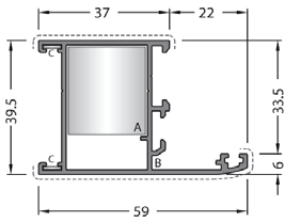
DIE-CAST CORNER JOINT
LC-2327



CODE
40C-123-00
THEORETICAL WEIGHT kg/m
0.922

EXTRUDED CORNER JOINT
A CC-103-26.5
B FUJI 2000
C MO 20.1

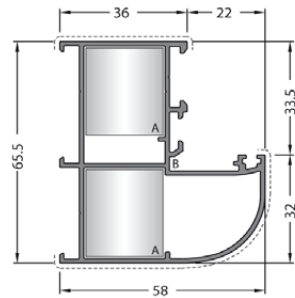
DIE-CAST CORNER JOINT
A LC-2327



CODE
40C-106-00
THEORETICAL WEIGHT kg/m
0.723

EXTRUDED CORNER JOINT
A CC-103-26.5
B FUJI 2000
C MO 19

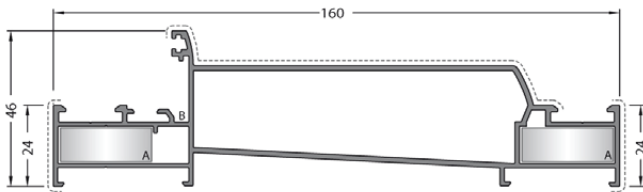
DIE-CAST CORNER JOINT
LC-2327



CODE
40C-104-00
THEORETICAL WEIGHT kg/m
1.054

EXTRUDED CORNER JOINT
A CC-103-26.5
B FUJI 2000

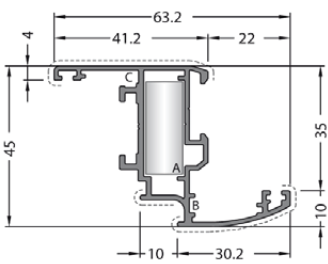
DIE-CAST CORNER JOINT
A LC-2327



CODE
40C-105-00
THEORETICAL WEIGHT kg/m
1.786

EXTRUDED CORNER JOINT
A CC-101-26.5
B FUJI 2000

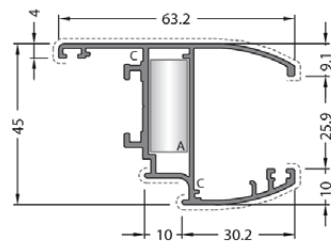
DIE-CAST CORNER JOINT
LC-1127



CODE
40C-201-00
THEORETICAL WEIGHT kg/m
0.786

EXTRUDED CORNER JOINT
A CC-101-26.5
B FUJI 2000
C MO 20

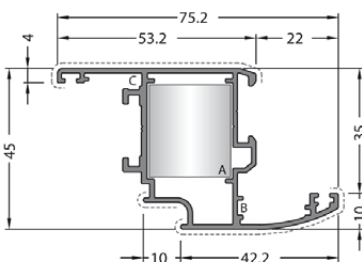
DIE-CAST CORNER JOINT
LC-1127



CODE
40C-202-00
THEORETICAL WEIGHT kg/m
0.815

EXTRUDED CORNER JOINT
A CC-101-26.5
C MO 20

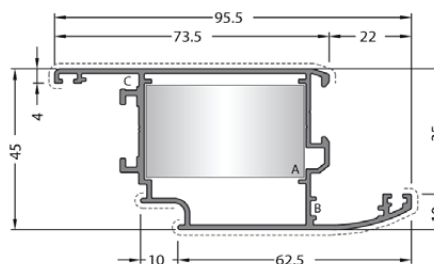
DIE-CAST CORNER JOINT
A LC-1127



CODE
40C-203-00
THEORETICAL WEIGHT kg/m
0.908

EXTRUDED CORNER JOINT
A CC-103-26.5
B FUJI 2000
C MO 20

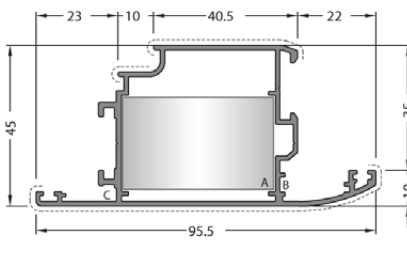
DIE-CAST CORNER JOINT
LC-2327



CODE
40C-204-00
THEORETICAL WEIGHT kg/m
1.050

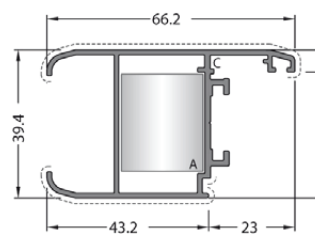
EXTRUDED CORNER JOINT
A CC-105-26.5
B FUJI 2000
C MO 20

DIE-CAST CORNER JOINT
A LC-4327



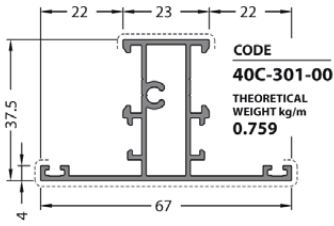
CODE
40C-205-00
THEORETICAL WEIGHT kg/m
1.050

- EXTRUDED CORNER JOINT DIE-CAST CORNER JOINT
- A CC-105-26.5
 - LC-4327
 - B FUJI 2000
 - C MO 20

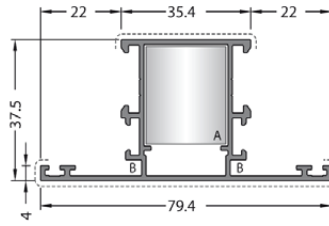


CODE
40C-206-00
THEORETICAL WEIGHT kg/m
0.795

- EXTRUDED CORNER JOINT DIE-CAST CORNER JOINT
- A CC-103-26.5
 - LC-2327
 - B MO 20

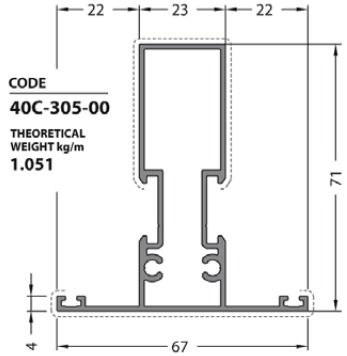


CODE
40C-301-00
THEORETICAL WEIGHT kg/m
0.759

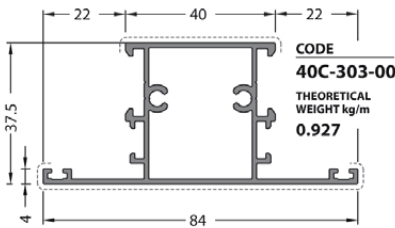


CODE
40C-302-00
THEORETICAL WEIGHT kg/m
0.831

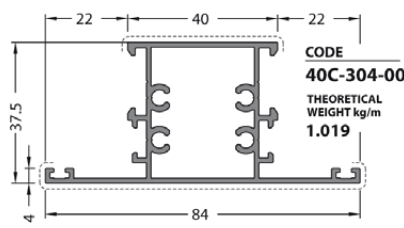
- EXTRUDED CORNER JOINT DIE-CAST CORNER JOINT
- A CC-103-26.5
 - LC-2327
 - B FUJI 2000



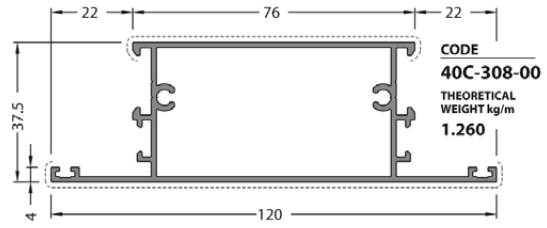
CODE
40C-305-00
THEORETICAL WEIGHT kg/m
1.051



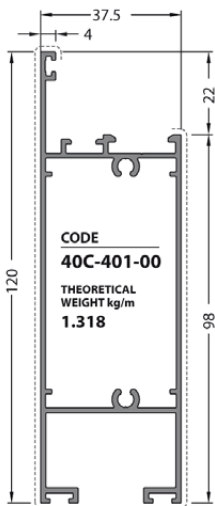
CODE
40C-303-00
THEORETICAL WEIGHT kg/m
0.927



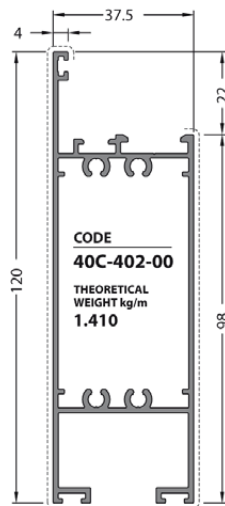
CODE
40C-304-00
THEORETICAL WEIGHT kg/m
1.019



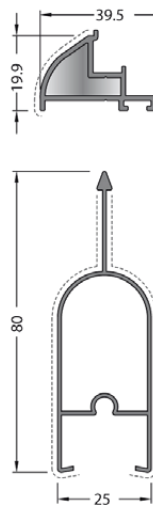
CODE
40C-308-00
THEORETICAL WEIGHT kg/m
1.260



CODE
40C-401-00
THEORETICAL WEIGHT kg/m
1.318



CODE
40C-402-00
THEORETICAL WEIGHT kg/m
1.410

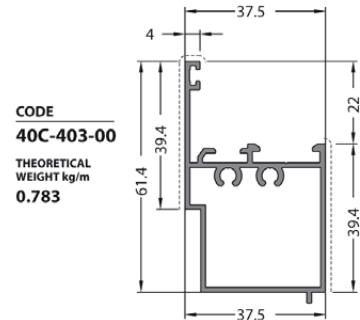


CODE
07-212-00
THEORETICAL WEIGHT kg/m
0.363
ADAPTOR CAP
 EM07-212

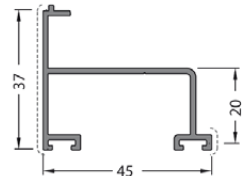
CODE
07-301-00
THEORETICAL WEIGHT kg/m
0.516



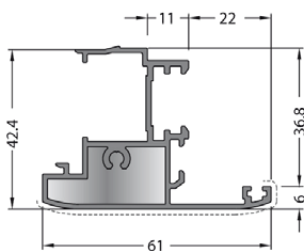
CODE
07-131-011
THEORETICAL WEIGHT kg/m
0.570



CODE
40C-403-00
THEORETICAL WEIGHT kg/m
0.783

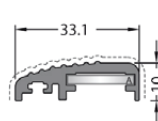


CODE
40C-404-00
THEORETICAL WEIGHT kg/m
0.491



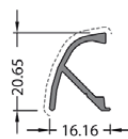
CODE
40C-501-00
THEORETICAL WEIGHT kg/m
0.856

- ADAPTOR CAP
 EM40C-501

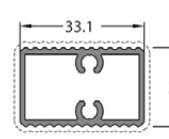


CODE
40C-406-00
THEORETICAL WEIGHT kg/m
0.362

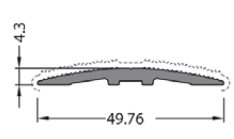
- CORNER JOINT
 A P 100.1



CODE
07-211-00
THEORETICAL WEIGHT kg/m
0.184

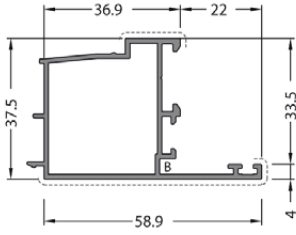


CODE
40C-407-00
THEORETICAL WEIGHT kg/m
0.485



CODE
20-101-00
THEORETICAL WEIGHT kg/m
0.355

aluminiumgroove

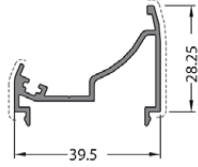


CODE
40C-502-00
THEORETICAL WEIGHT kg/m

0.675
CORNER JOINT

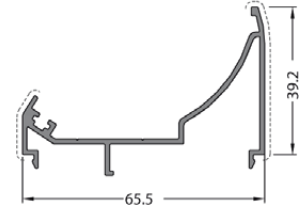


B FUJI 2000



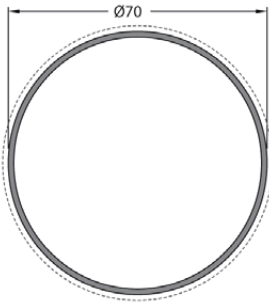
CODE
40C-503-00
THEORETICAL WEIGHT kg/m

0.386



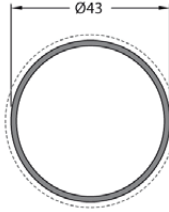
CODE
40C-504-00
THEORETICAL WEIGHT kg/m

0.592



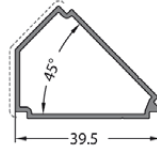
CODE
10-134-015
THEORETICAL WEIGHT kg/m

0.875



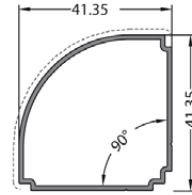
CODE
10-127-015
THEORETICAL WEIGHT kg/m

0.530



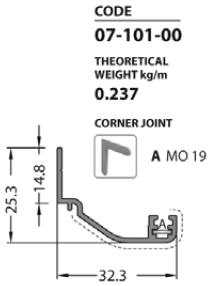
CODE
40C-508-00
THEORETICAL WEIGHT kg/m

0.370



CODE
40C-507-00
THEORETICAL WEIGHT kg/m

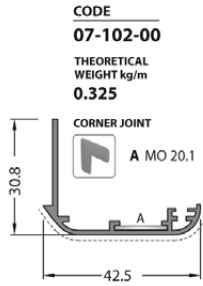
0.475



CODE
07-101-00
THEORETICAL WEIGHT kg/m

0.237

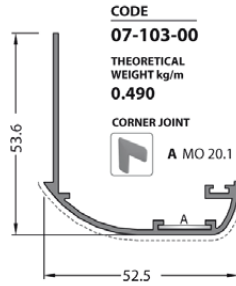
CORNER JOINT



CODE
07-102-00
THEORETICAL WEIGHT kg/m

0.325

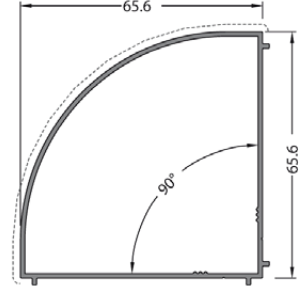
CORNER JOINT



CODE
07-103-00
THEORETICAL WEIGHT kg/m

0.490

CORNER JOINT



CODE
40C-509-00
THEORETICAL WEIGHT kg/m

0.819



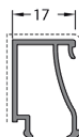
CODE
08-101-00
THEORETICAL WEIGHT kg/m

0.217



CODE
08-102-00
THEORETICAL WEIGHT kg/m

0.223



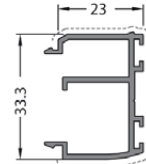
CODE
08-107-00
THEORETICAL WEIGHT kg/m

0.261



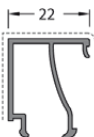
CODE
08-108-00
THEORETICAL WEIGHT kg/m

0.268



CODE
40C-510-00
THEORETICAL WEIGHT kg/m

0.446



CODE
08-109-00
THEORETICAL WEIGHT kg/m

0.278



CODE
08-110-00
THEORETICAL WEIGHT kg/m

0.264



CODE
08-111-00
THEORETICAL WEIGHT kg/m

0.217

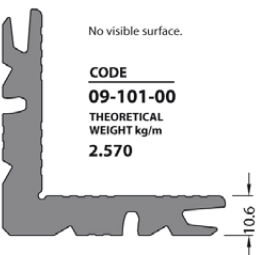


EM08-111



CODE
07-201-00
THEORETICAL WEIGHT kg/m

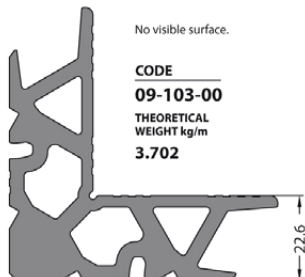
0.119



No visible surface.

CODE
09-101-00
THEORETICAL WEIGHT kg/m

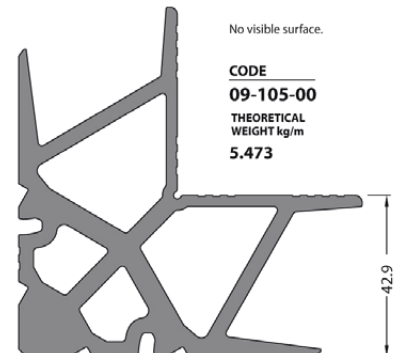
2.570



No visible surface.

CODE
09-103-00
THEORETICAL WEIGHT kg/m

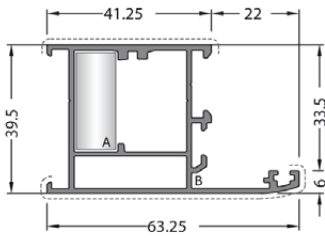
3.702



No visible surface.

CODE
09-105-00
THEORETICAL WEIGHT kg/m

5.473

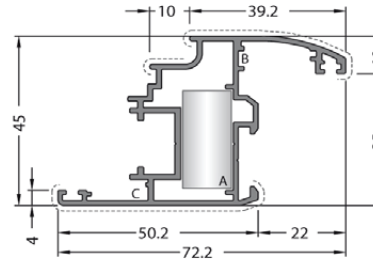


CODE
40C-151-00
THEORETICAL WEIGHT kg/m
0.877

EXTRUDED CORNER JOINT

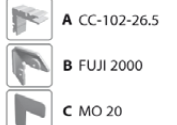


DIE-CAST CORNER JOINT

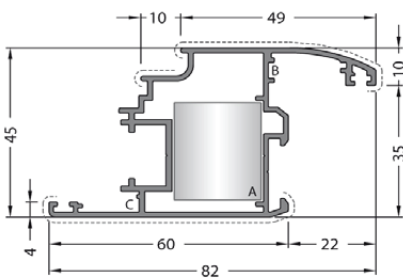


CODE
40C-251-00
THEORETICAL WEIGHT kg/m
0.927

EXTRUDED CORNER JOINT

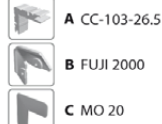


DIE-CAST CORNER JOINT

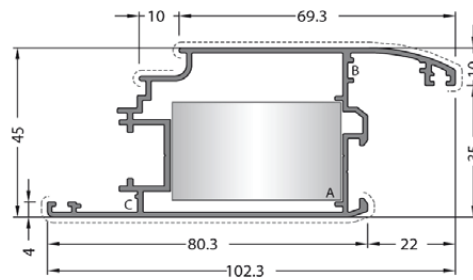


CODE
40C-252-00
THEORETICAL WEIGHT kg/m
0.996

EXTRUDED CORNER JOINT

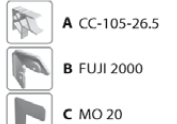


DIE-CAST CORNER JOINT

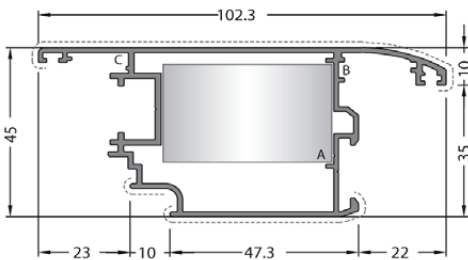


CODE
40C-253-00
THEORETICAL WEIGHT kg/m
1.139

EXTRUDED CORNER JOINT

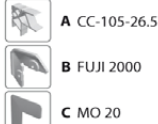


DIE-CAST CORNER JOINT

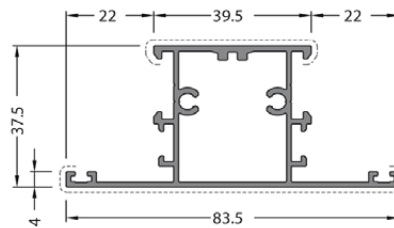


CODE
40C-254-00
THEORETICAL WEIGHT kg/m
1.139

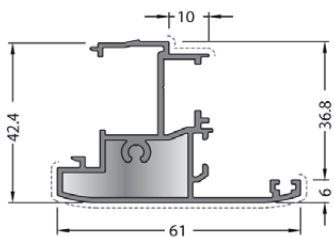
EXTRUDED CORNER JOINT



DIE-CAST CORNER JOINT



CODE
40C-351-00
THEORETICAL WEIGHT kg/m
0.973



CODE
40C-551-00
THEORETICAL WEIGHT kg/m
0.852

ADAPTOR CAP



No visible surface.

CODE
09-102-00
THEORETICAL WEIGHT kg/m
2.995

When you use PVC accessories with these Frames
40C-103-00 / 40C-104-00 / 40C-106-00
40C-123-00 / 40C-302-00
Use this corner joint
This corner joint for only Aubi A300 & GU Uni jet D



No visible surface.

CODE
09-156-00
THEORETICAL WEIGHT kg/m
5.101

GASKETS

CODE	DRAWING	APPLICATION	DESCRIPTION	WEIGHT kg/m	IN ONE PACKAGE
EM1-02			Glazing Gasket Inside (EPDM)	0.050	300 m
EM1-03			Glazing Gasket Inside (EPDM)	0.060	250 m
EM1-04			Glazing Gasket Inside (EPDM)	0.070	215 m
EM2-01			Glazing Gasket Outside (EPDM)	0.055	270 m
EM3-01			Acoustical Gasket (EPDM)	0.032	465 m
EM40-01			Central Gasket (EPDM)	0.115	130 m


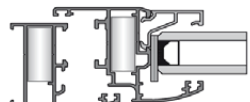

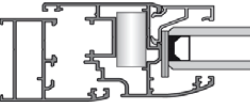

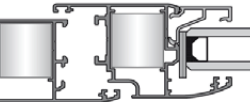

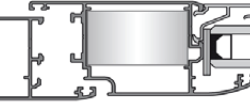

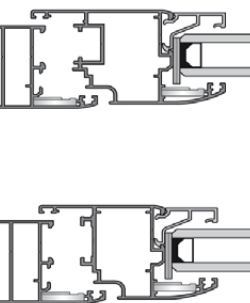
GLAZING COMBINATION

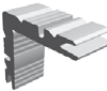
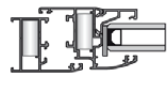
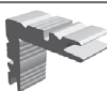
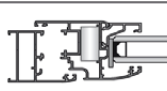

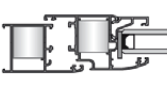
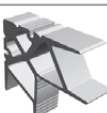
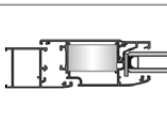
GLAZING THICKNESS	GLAZING GASKET INSIDE	GLAZING GASKET OUTSIDE	GLAZING BEAD
4 mm	EM1-03	EM2-01	08-109-00
	EM1-03	EM2-01	08-110-00
	EM1-03	EM2-01	08-111-00
5 mm	EM1-02	EM2-01	08-109-00
	EM1-02	EM2-01	08-110-00
	EM1-02	EM2-01	08-111-00
6 mm	EM1-04	EM2-01	08-108-00
8 mm	EM1-04	EM2-01	08-107-00
10 mm	EM1-02	EM2-01	08-107-00
20 mm	EM1-02	EM2-01	08-102-00
22 mm	EM1-03	EM2-01	08-101-00

ACCESSORY CODE	DRAWING	APPLICATION PROFILES	APPLICATION DETAIL
EM40C-501 ALUminium		40C-501-00	
EM40C-551 PERImetric		40C-551-00	
EM07-212		07-212-00	
EM08-111		08-111-00	
EM15-200		Polyamid Rod Profile (Euro Section 1)	
EM10-01 (White)		Drainage Cap	
EM10-02 (Black)			
EM10-03 (Brown)			
LC01-01		Lorenzoline Punching Machine	

ACCESSORY CODE	DRAWING	APPLICATION PROFILES	APPLICATION DETAIL
MO 20		40C-201-00	
		40C-202-00	
		40C-203-00	
		40C-204-00	
		40C-205-00	
		40C-206-00	
		40C-251-00	
		40C-252-00	
		40C-253-00	
40C-254-00			
P 100.1		40C-406-00	
MO 19		40C-102-00	
		40C-106-00	
		07-101-00	
MO 20.1		07-102-00	
		07-103-00	

accessories

CODE	DRAWING	APPLICATION PROFILES	APPLICATION DETAIL
LC-1127		40C-101-00	
		40C-102-00	
		40C-105-00	
		40C-151-00	
		40C-201-00	
LC-1327		40C-251-00	
		40C-251-00	
LC-2327		40C-103-00	
		40C-104-00	
		40C-106-00	
		40C-123-00	
		40C-203-00	
		40C-206-00	
		40C-252-00	
LC-4327		40C-204-00	
		40C-205-00	
		40C-253-00	
		40C-254-00	
FUJI 2000		40C-101-00	
		40C-102-00	
		40C-103-00	
		40C-104-00	
		40C-105-00	
		40C-106-00	
		40C-123-00	
		40C-151-00	
		40C-201-00	
		40C-203-00	
		40C-204-00	
		40C-205-00	
		40C-251-00	
		40C-252-00	
		40C-253-00	
		40C-254-00	
		40C-302-00	
40C-502-00			

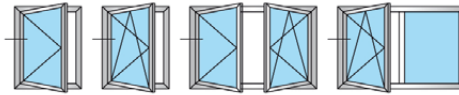
PROFILE CODE	DRAWING	PACKAGE CODE	QUANTITY	CUTTING SIZE	APPLICATION PROFILES	APPLICATION DETAIL
09-101-00		CC-101-26.5	60 pieces	26.5 mm	40C-101-00	
					40C-102-00	
					40C-105-00	
					40C-151-00	
					40C-201-00	
09-102-00		CC-102-26.5	60 pieces	26.5 mm	40C-251-00	
					40C-251-00	
09-103-00		CC-103-26.5	50 pieces	26.5 mm	40C-103-00	
					40C-104-00	
					40C-106-00	
					40C-123-00	
					40C-203-00	
					40C-206-00	
					40C-252-00	
09-105-00		CC-105-26.5	25 pieces	26.5 mm	40C-204-00	
					40C-205-00	
					40C-253-00	
					40C-254-00	

SPECIAL EXTRUDED CORNER JOINT FOR PERIMETRIC

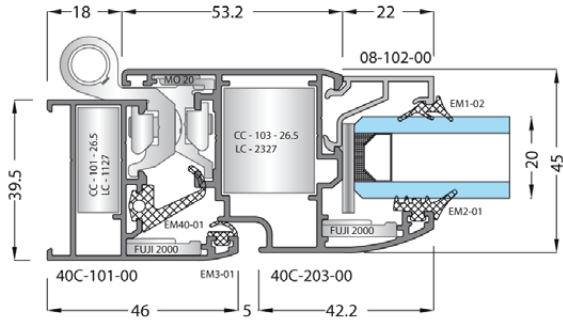
When you use PVC accessories with these Frames 40C-103-00 / 40C-104-00 / 40C-106-00 / 40C-123-00 / 40C-302-00 Use this corner joint.

This corner joint for only Aubi A300 & GU Uni jet D

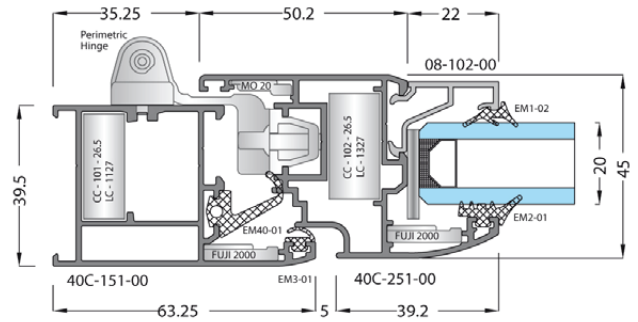
PROFILE CODE	DRAWING	PACKAGE CODE	QUANTITY	CUTTING SIZE	APPLICATION PROFILES	APPLICATION DETAIL
09-156-00		CC-156-26.5	25 pieces	26.5 mm	40C-103-00	
					40C-104-00	
					40C-106-00	
					40C-123-00	
					40C-302-00	



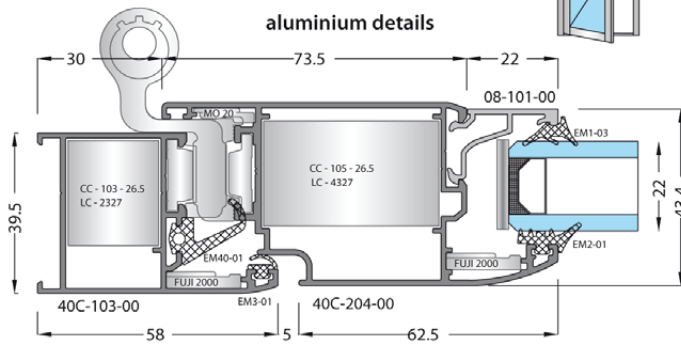
aluminium details



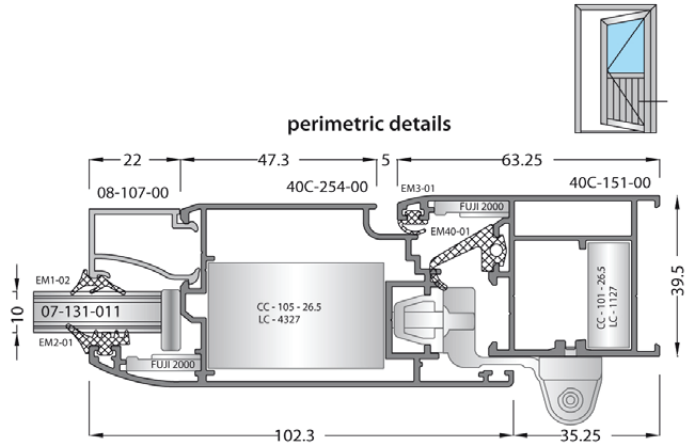
perimetric details



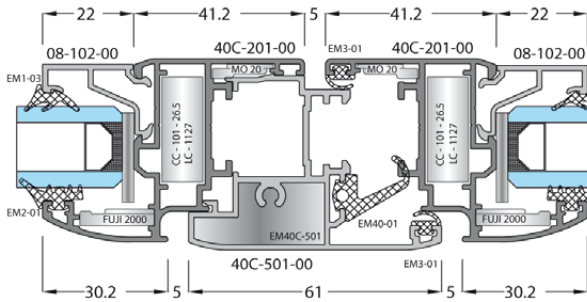
aluminium details



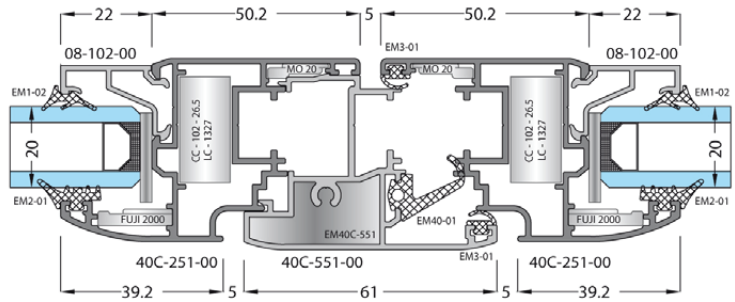
perimetric details



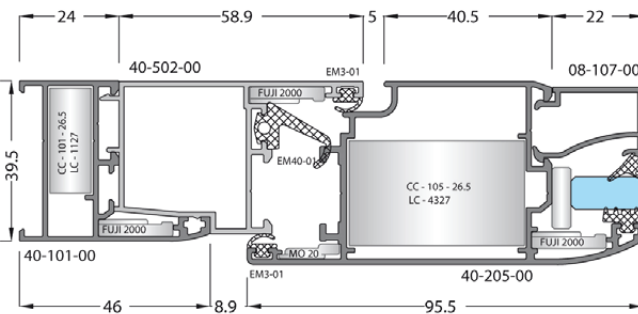
aluminium details



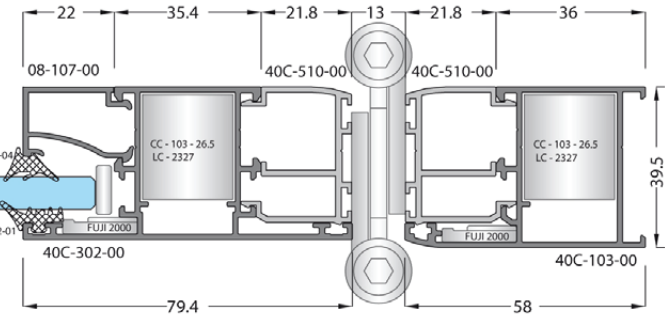
perimetric details



aluminium details



aluminium details



alutteams
Aluminium Profile Systems

www.aluteams.com

aluteams
Aluminium Profile Systems