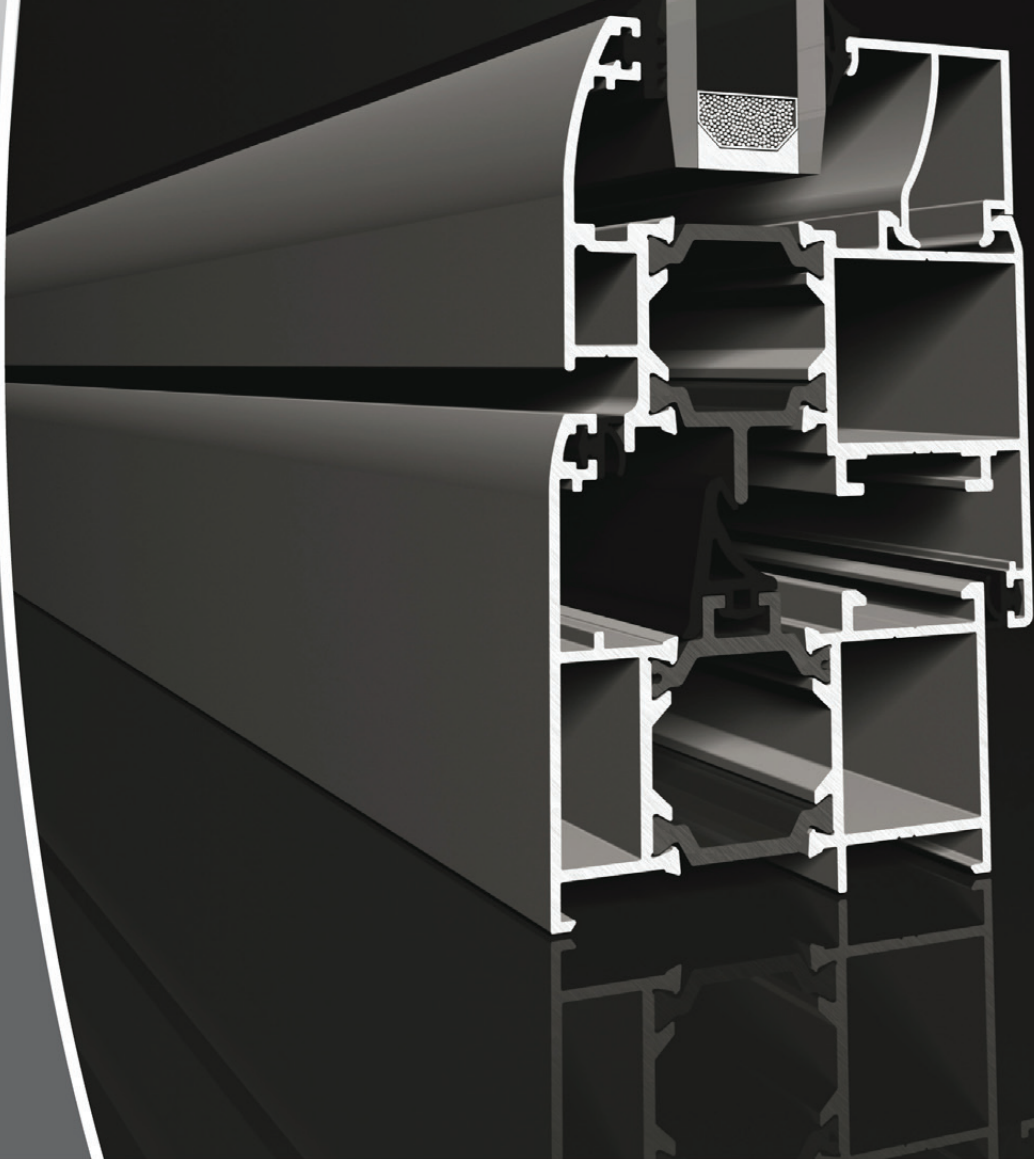


EDITION: 05/2010

WINDOW AND DOOR SYSTEM 60T



alutteams
Aluminium Profile Systems

alutteams
Aluminium Profile Systems

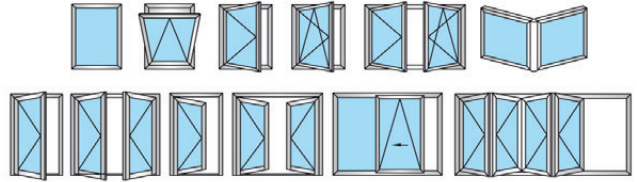
WINDOW AND DOOR SYSTEM 60T



TECHNICAL INFORMATIONS

System Properties

- Modern Design
- Wall Thickness : 1.2 - 1.3 mm
- Frame Height : 60 mm
- Vent Height : 65 mm
- Insulation Bar : 24 mm
- Safety Drainage System
- EPDM Gaskets
- Glazing From 10 mm to 34 mm
- Multilock Section
- Thermal Permability : (Uf) 2.58 W / m2K



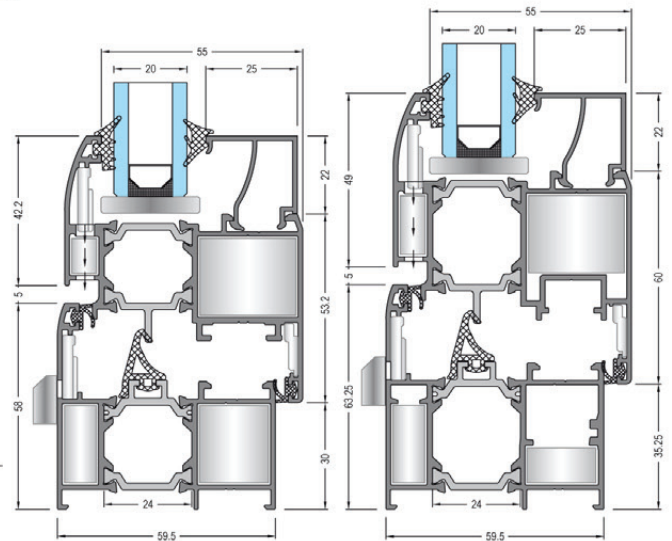
60T ALUMINIUM

Euro Groove 1

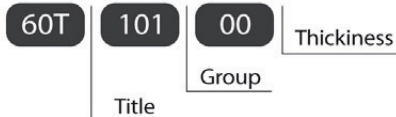
60T PERIMETRIC

Perimetric Groove suitable for 9 axis and 20 mm hinge mounting dimension

09-156-00 extruded joint is suitable for GU unijet - D and Aubi A300



Code Logic



Titles

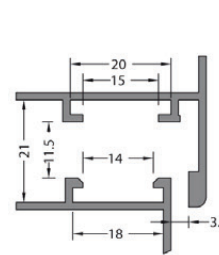
- 60T - System Name
- 07 - Alternative Adaptors
- 08 - Glazing Beats
- 09 - Extruded Corner Joints

Groups

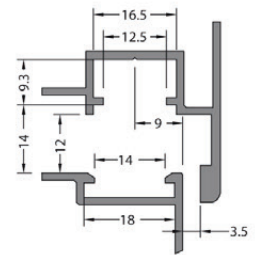
- 101, 102,... - Frames
- 201, 251,... - Vents
- 301, 302,... - Mullions
- 401, 402,... - Kick Plates and Adaptors
- 501, 502,... - Adaptors

Alloy

The alloys of the aluminium profiles are 6060 and 6063 (AlMgSi 0,5 - F22) based on EN 12020-2 / 755-9 standards



Euro Groove Section 1



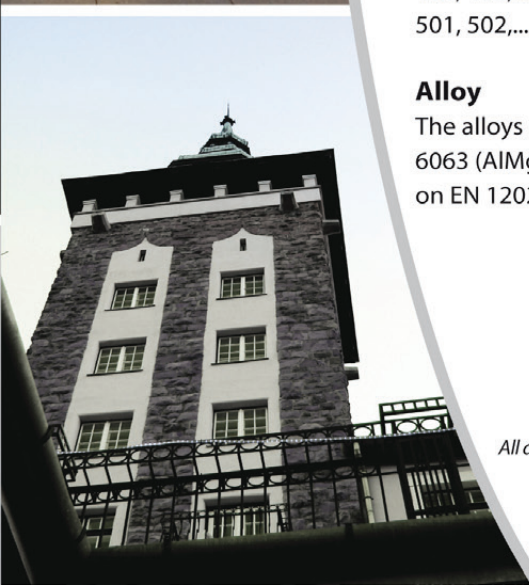
Perimetric Section

All drawings are not scaled.

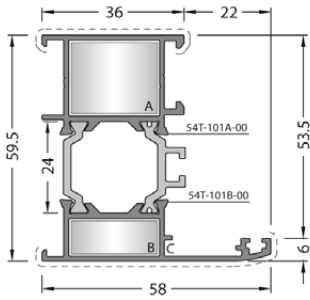
alutteams
Aluminium Profile Systems



TÜV Rheinland
Berlin Brandenburg



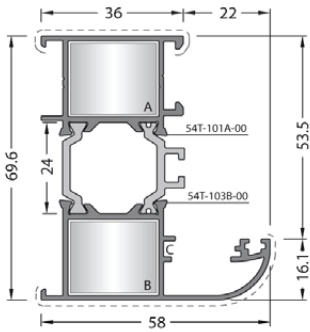
aluminium profiles



CODE
60T-101-00
THEORETICAL WEIGHT kg/m
1.185

- EXTRUDED CORNER JOINT**
- A CC-103-19.5
 - B CC-103-09.4
 - C FUJII 2000

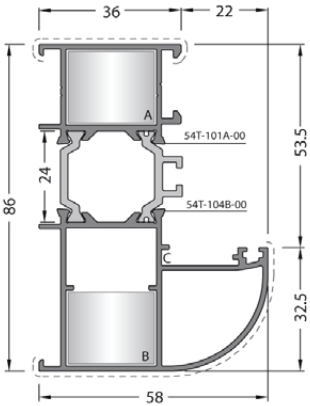
- DIE-CAST CORNER JOINT**
- LC-2320



CODE
60T-103-00
THEORETICAL WEIGHT kg/m
1.316

- EXTRUDED CORNER JOINT**
- A CC-103-19.5
 - B CC-103-19.5
 - C FUJII 2000

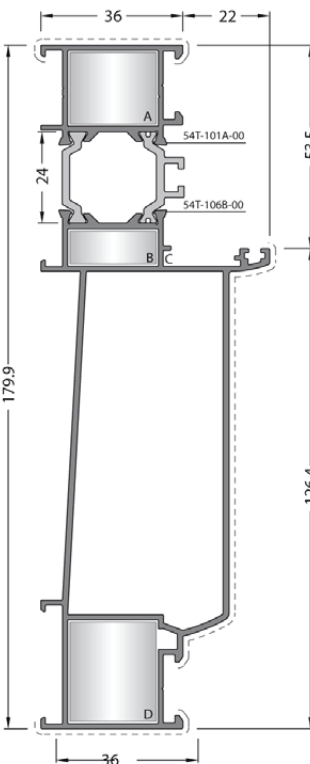
- DIE-CAST CORNER JOINT**
- LC-2320
 - LC-2320



CODE
60T-104-00
THEORETICAL WEIGHT kg/m
1.556

- EXTRUDED CORNER JOINT**
- A CC-103-19.5
 - B CC-103-19.5
 - C FUJII 2000

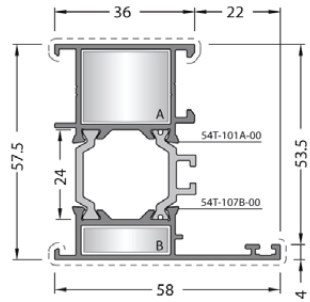
- DIE-CAST CORNER JOINT**
- A LC-2320
 - B LC-2320



CODE
60T-106-00
THEORETICAL WEIGHT kg/m
2.455

- EXTRUDED CORNER JOINT**
- A CC-103-19.5
 - B CC-103-09.4
 - C FUJII 2000
 - D CC-103-26.9

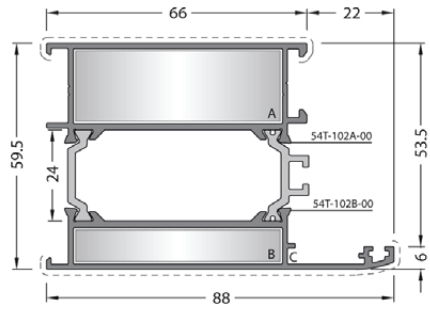
- DIE-CAST CORNER JOINT**
- A LC-2320
 - D LC-2327



CODE
60T-107-00
THEORETICAL WEIGHT kg/m
1.156

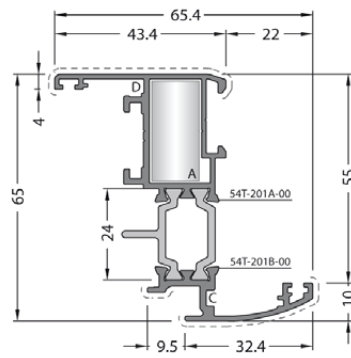
- EXTRUDED CORNER JOINT**
- A CC-103-19.5
 - B CC-103-07.4
 - C FUJII 2000

- DIE-CAST CORNER JOINT**
- A LC-2320



CODE
60T-102-00
THEORETICAL WEIGHT kg/m
1.735

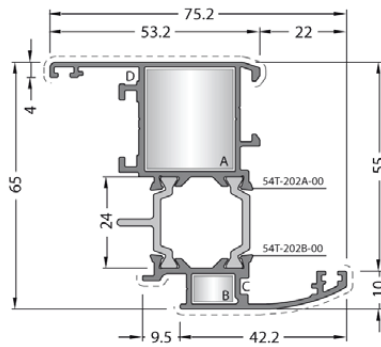
- EXTRUDED CORNER JOINT**
- A CC-106-19.2
 - B CC-106-09.1
 - C FUJII 2000



CODE
60T-201-00
THEORETICAL WEIGHT kg/m
1.155

- EXTRUDED CORNER JOINT**
- A CC-102-26.9
 - C FUJII 2000
 - D MO 20

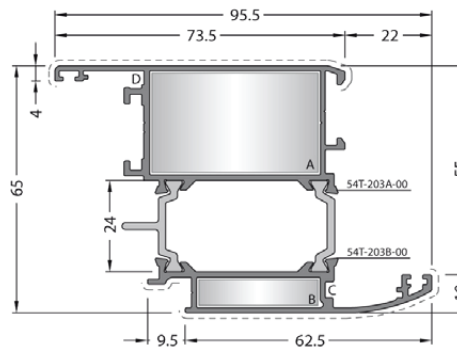
- DIE-CAST CORNER JOINT**
- A LC-1327



CODE
60T-202-00
THEORETICAL WEIGHT kg/m
1.350

- EXTRUDED CORNER JOINT**
- A CC-103-26.9
 - B CC-101-07.5
 - C FUJII 2000
 - D MO 20

- DIE-CAST CORNER JOINT**
- A LC-2327

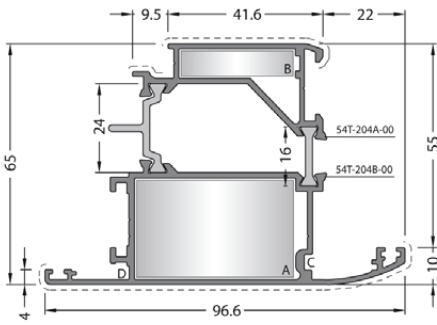


CODE
60T-203-00
THEORETICAL WEIGHT kg/m
1.658

- EXTRUDED CORNER JOINT**
- A CC-105-26.9
 - B CC-104-07.5
 - C FUJII 2000
 - D MO 20

- DIE-CAST CORNER JOINT**
- A LC-4327

aluminium profiles



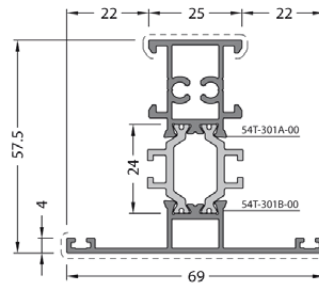
CODE
60T-204-00
THEORETICAL WEIGHT kg/m
1.721

EXTRUDED CORNER JOINT

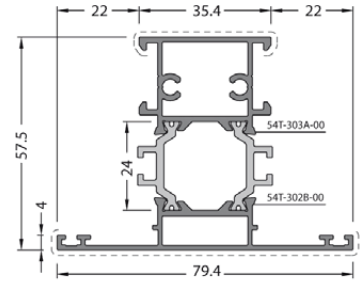
- A CC-105-26.9
- B CC-104-07.5
- C FUJI 2000
- D MO 20

DIE-CAST CORNER JOINT

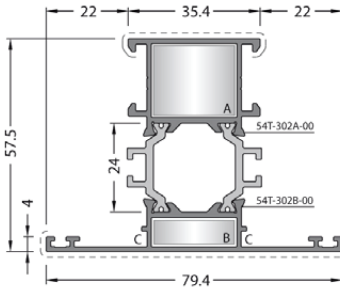
- A LC-4327



CODE
60T-301-00
THEORETICAL WEIGHT kg/m
1.194



CODE
60T-303-00
THEORETICAL WEIGHT kg/m
1.383



CODE
60T-302-00
THEORETICAL WEIGHT kg/m
1.294

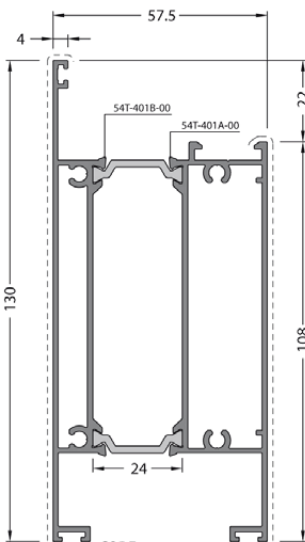
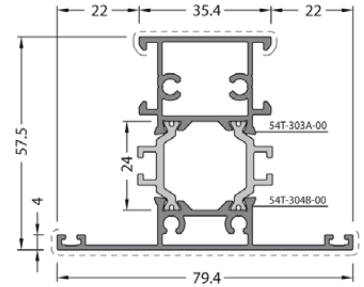
EXTRUDED CORNER JOINT

- A CC-103-19.5
- B CC-103-07.4
- C FUJI 2000

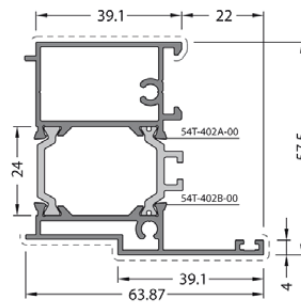
DIE-CAST CORNER JOINT

- LC-2320

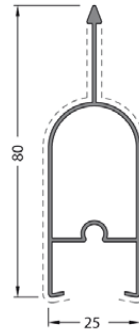
CODE
60T-304-00
THEORETICAL WEIGHT kg/m
1.434



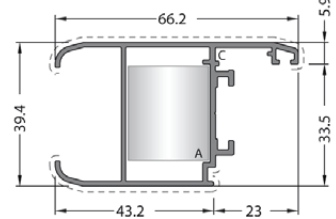
CODE
60T-401-00
THEORETICAL WEIGHT kg/m
2.353



CODE
60T-402-00
THEORETICAL WEIGHT kg/m
1.303



CODE
07-301-00
THEORETICAL WEIGHT kg/m
0.516



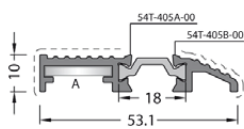
CODE
40C-206-00
THEORETICAL WEIGHT kg/m
0.795

EXTRUDED CORNER JOINT

- A CC-103-26.5
- C MO 20

DIE-CAST CORNER JOINT

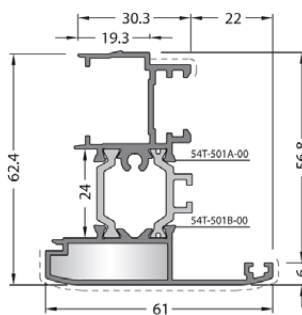
- LC-2327



CODE
60T-405-00
THEORETICAL WEIGHT kg/m
0.471

CORNER JOINT

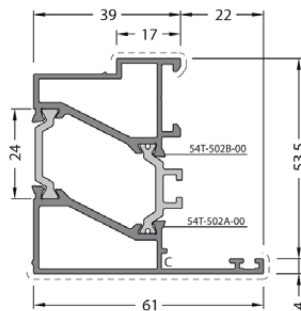
- A P100.1



CODE
60T-501-00
THEORETICAL WEIGHT kg/m
1.214

ADAPTOR CAP

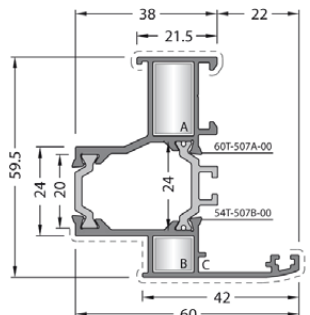
- EM60T-501



CODE
60T-502-00
THEORETICAL WEIGHT kg/m
1.296

CORNER JOINT

- C FUJI 2000



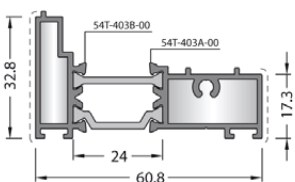
CODE
60T-507-00
THEORETICAL WEIGHT kg/m
1.150

EXTRUDED CORNER JOINT

- A CC-101-19.5
- B CC-101-09.4
- C FUJI 2000

DIE-CAST CORNER JOINT

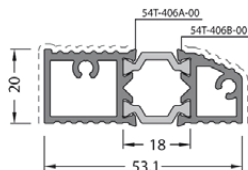
- A LC-1120



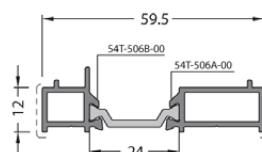
CODE
60T-403-00
THEORETICAL WEIGHT kg/m
0.966

ADAPTOR CAP

- EM60T-403

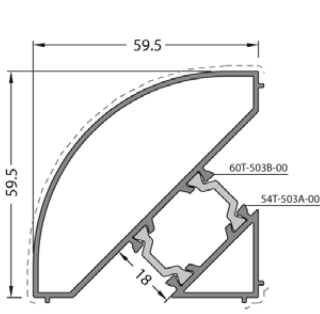


CODE
60T-406-00
THEORETICAL WEIGHT kg/m
0.938

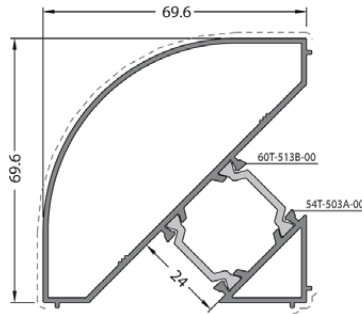


CODE
60T-506-00
THEORETICAL WEIGHT kg/m
0.573

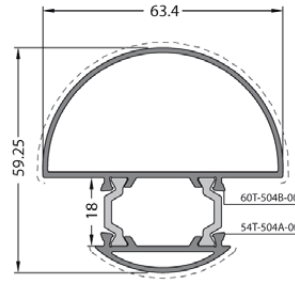
aluminium profiles



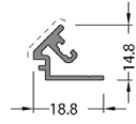
CODE
60T-503-00
THEORETICAL WEIGHT kg/m
1.212



CODE
60T-513-00
THEORETICAL WEIGHT kg/m
1.400



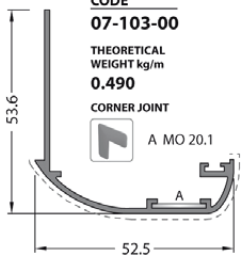
CODE
60T-504-00
THEORETICAL WEIGHT kg/m
1.113



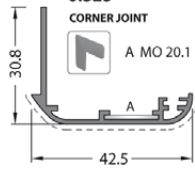
CODE
54T-505-00
THEORETICAL WEIGHT kg/m
0.175



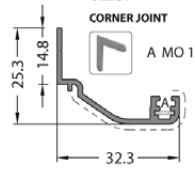
CODE
07-211-00
THEORETICAL WEIGHT kg/m
0.184



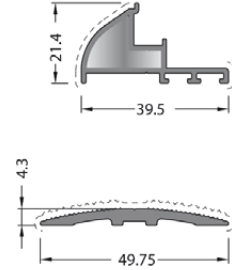
CODE
07-103-00
THEORETICAL WEIGHT kg/m
0.490
CORNER JOINT



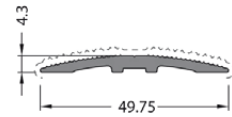
CODE
07-102-00
THEORETICAL WEIGHT kg/m
0.325
CORNER JOINT



CODE
07-101-00
THEORETICAL WEIGHT kg/m
0.237
CORNER JOINT



CODE
07-212-00
THEORETICAL WEIGHT kg/m
0.363
ADAPTOR CUP



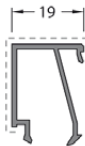
CODE
20-101-00
THEORETICAL WEIGHT kg/m
0.355



CODE
08-104-00
THEORETICAL WEIGHT kg/m
0.256



CODE
08-107-00
THEORETICAL WEIGHT kg/m
0.262



CODE
08-108-00
THEORETICAL WEIGHT kg/m
0.269



CODE
08-109-00
THEORETICAL WEIGHT kg/m
0.280



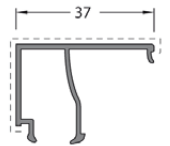
CODE
08-110-00
THEORETICAL WEIGHT kg/m
0.265



CODE
08-111-00
THEORETICAL WEIGHT kg/m
0.217



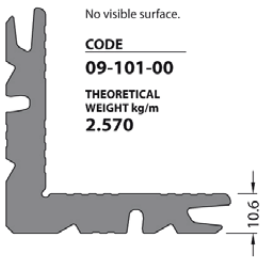
CODE
08-112-00
THEORETICAL WEIGHT kg/m
0.290



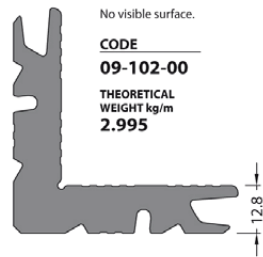
CODE
08-116-00
THEORETICAL WEIGHT kg/m
0.331



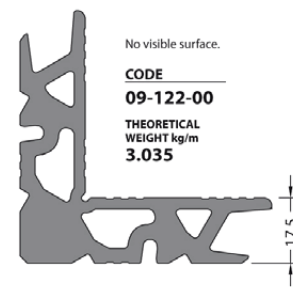
EM08-111



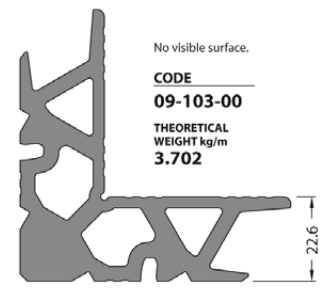
No visible surface.
CODE
09-101-00
THEORETICAL WEIGHT kg/m
2.570



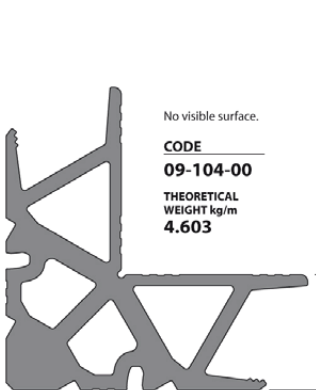
No visible surface.
CODE
09-102-00
THEORETICAL WEIGHT kg/m
2.995



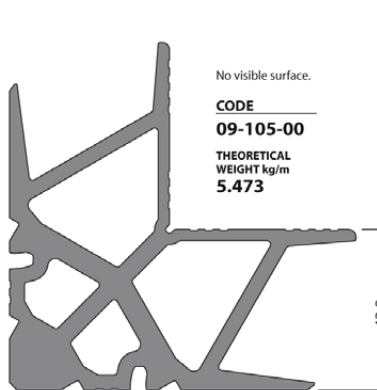
No visible surface.
CODE
09-102-00
THEORETICAL WEIGHT kg/m
3.035



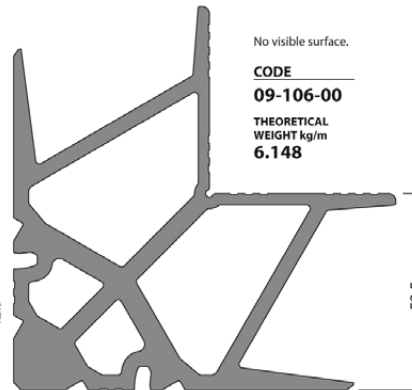
No visible surface.
CODE
09-103-00
THEORETICAL WEIGHT kg/m
3.702



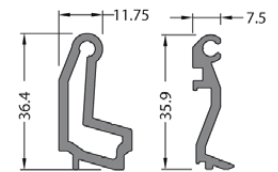
No visible surface.
CODE
09-104-00
THEORETICAL WEIGHT kg/m
4.603



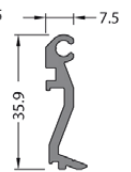
No visible surface.
CODE
09-105-00
THEORETICAL WEIGHT kg/m
5.473



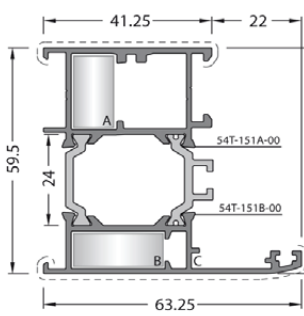
No visible surface.
CODE
09-106-00
THEORETICAL WEIGHT kg/m
6.148



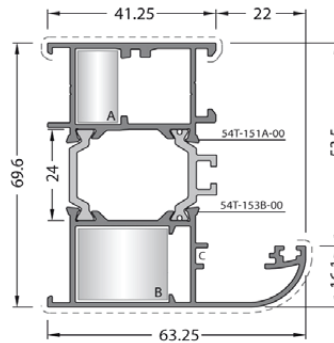
No visible surface.
CODE
09-115-00
THEORETICAL WEIGHT kg/m
0.628



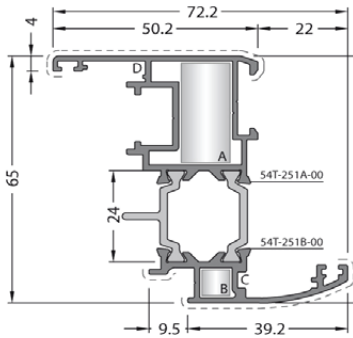
No visible surface.
CODE
09-116-00
THEORETICAL WEIGHT kg/m
0.363



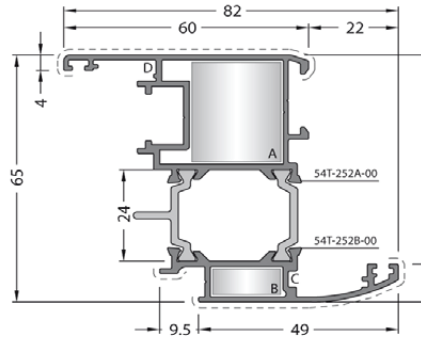
CODE
60T-151-00
THEORETICAL WEIGHT kg/m
1.332
EXTRUDED CORNER JOINT
A CC-101-19.5
B CC-103-09.4
C FUJI 2000
DIE-CAST CORNER JOINT
A LC-1120



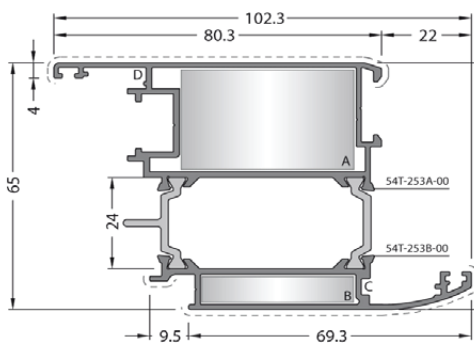
CODE
60T-153-00
THEORETICAL WEIGHT kg/m
1.462
EXTRUDED CORNER JOINT
A CC-101-19.5
B CC-103-19.5
C FUJI 2000
DIE-CAST CORNER JOINT
LC-1120
LC-2320



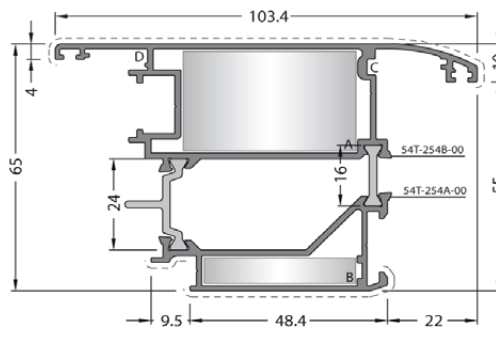
CODE
60T-251-00
THEORETICAL WEIGHT kg/m
1.337
EXTRUDED CORNER JOINT
A CC-102-26.9
B CC-107-07.5
C FUJI 2000
D MO 20
DIE-CAST CORNER JOINT
A LC-1327



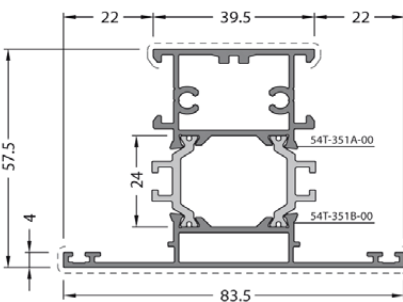
CODE
60T-252-00
THEORETICAL WEIGHT kg/m
1.488
EXTRUDED CORNER JOINT
A CC-103-26.9
B CC-122-07.5
C FUJI 2000
D MO 20
DIE-CAST CORNER JOINT
LC-2327



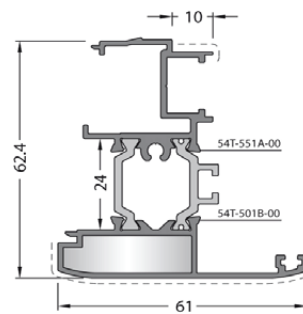
CODE
60T-253-00
THEORETICAL WEIGHT kg/m
1.794
EXTRUDED CORNER JOINT
A CC-105-26.9
B CC-108-07.5
C FUJI 2000
D MO 20
DIE-CAST CORNER JOINT
A LC-4327



CODE
60T-254-00
THEORETICAL WEIGHT kg/m
1.863
EXTRUDED CORNER JOINT
A CC-105-26.9
B CC-108-07.5
C FUJI 2000
D MO 20
DIE-CAST CORNER JOINT
A LC-4327



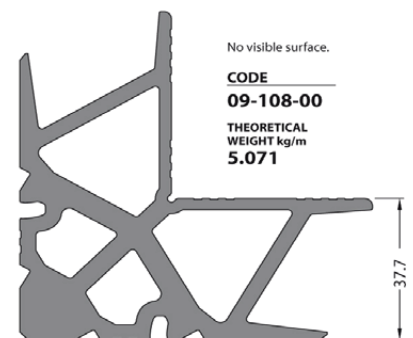
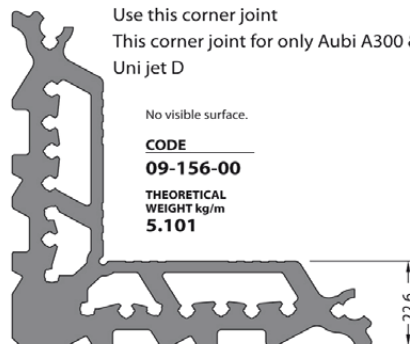
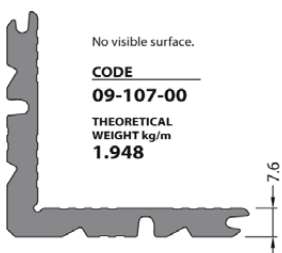
CODE
60T-351-00
THEORETICAL WEIGHT kg/m
1.498



CODE
60T-551-00
THEORETICAL WEIGHT kg/m
1.221
ADAPTOR CAP
EM60T-551

When you use PVC accessories with these Frames
60T-101-00 / 60T-103-00 / 60T-104-00 / 60T-107-00

Use this corner joint
This corner joint for only Aubi A300 & GU Uni jet D



GASKETS

CODE	DRAWING	APPLICATION	DESCRIPTION	THEORETICAL WEIGHT kg/m	IN ONE PACKAGE
EM1-02			Glazing Gasket Inside (EPDM)	0.050	300 m
EM1-03			Glazing Gasket Inside (EPDM)	0.060	250 m
EM1-04			Glazing Gasket Inside (EPDM)	0.070	215 m
EM2-01			Glazing Gasket Outside (EPDM)	0.055	270 m
EM3-01			Acoustical Gasket (EPDM)	0.032	465 m
EM54-01			Central Gasket (EPDM)	0.111	135 m

GLAZING COMBINATION

GLAZING THICKNESS	GLAZING GASKET INSIDE	GLAZING GASKET OUTSIDE	GLAZING BEAD
10 mm	EM1-02	EM2-01	08-116-00
20 mm	EM1-04	EM2-01	08-112-00
22 mm	EM1-02	EM2-01	08-112-00
	EM1-03	EM2-01	08-109-00
	EM1-03	EM2-01	08-110-00
24 mm	EM1-03	EM2-01	08-111-00
	EM1-03	EM2-01	08-111-00
26 mm	EM1-04	EM2-01	08-108-00
28 mm	EM1-04	EM2-01	08-107-00
	EM1-02	EM2-01	08-108-00
30 mm	EM1-02	EM2-01	08-107-00
32 mm	EM1-04	EM2-01	08-104-00
34 mm	EM1-02	EM2-01	08-104-00

CODE	DRAWING	APPLICATION PROFILES	APPLICATION DETAIL
EM60T-501 ALuminium		60T-501-00	
EM60T-551 PERImetric		60T-551-00	
EM60T-403		60T-403-00	
EM07-212		07-212-00	
EM08-111		08-111-00	
EM15-200		Rod Profile (Euro Section 1)	
EM10-01 (White)		Drainage Cap	
EM10-02 (Black)			
EM10-03 (Brown)			

CODE	DRAWING	APPLICATION PROFILES	APPLICATION DETAIL
MO 20		60T-201-00	
		60T-202-00	
		60T-203-00	
		60T-204-00	
		60T-206-00	
		60T-251-00	
		60T-252-00	
60T-253-00			
60T-254-00			
P 100.1		60T-405-00	
MO 19		07-101-00	
MO 20.1		07-102-00	
		07-103-00	

accessories

CODE	DRAWING	APPLICATION PROFILES	APPLICATION DETAIL
LC-1120		60T-151-00	
		60T-153-00	
		60T-507-00	
LC-1327		60T-201-00	
		60T-251-00	
LC-2320		60T-101-00	
		60T-103-00	
		60T-104-00	
		60T-106-00	
		60T-107-00	
		60T-153-00	
		60T-302-00	
LC-2327		60T-106-00	
		60T-202-00	
		60T-206-00	
		60T-252-00	
LC-4327		60T-203-00	
		60T-204-00	
		60T-253-00	
		60T-254-00	
FUJI 2000		60T-101-00	
		60T-102-00	
		60T-103-00	
		60T-104-00	
		60T-106-00	
		60T-107-00	
		60T-151-00	
		60T-153-00	
		60T-201-00	
		60T-202-00	
		60T-203-00	
		60T-204-00	
		60T-251-00	
		60T-252-00	
		60T-253-00	
		60T-254-00	
		60T-302-00	
60T-502-00			
60T-507-00			

PROFILE CODE	DRAWING	PACKAGE CODE	QUANTITY	CUTTING SIZE	APPLICATION PROFILES	APPLICATION DETAIL
09-104-00		CC-104-07.5	28 pieces	07.5 mm	60T-203-00	
					60T-204-00	
09-105-00		CC-105-26.9	15 pieces	26.9 mm	60T-203-00	
					60T-204-00	
					60T-253-00	
09-106-00		CC-106-09.1	12 pieces	09.1 mm	60T-102-00	
09-106-00		CC-106-19.2	14 pieces	19.2 mm	60T-102-00	
09-107-00		CC-107-07.5	119 pieces	07.5 mm	60T-251-00	
09-108-00		CC-108-07.5	21 pieces	07.5 mm	60T-253-00	
09-122-00		CC-122-07.5	49 pieces	07.5 mm	60T-252-00	

PROFILE CODE	DRAWING	PACKAGE CODE	QUANTITY	CUTTING SIZE	APPLICATION PROFILES	APPLICATION DETAIL
09-101-00		CC-101-07.5	105 pieces	07.5 mm	60T-202-00	
09-101-00		CC-101-09.4	90 pieces	09.4 mm	60T-507-00	
09-101-00		CC-101-19.5	105 pieces	19.5 mm	60T-151-00	
09-102-00		CC-102-26.9	50 pieces	26.9 mm	60T-201-00	
					60T-251-00	
09-103-00		CC-103-07.4	42 pieces	07.4 mm	60T-107-00	
09-103-00		CC-103-09.4	30 pieces	09.4 mm	60T-101-00	
					60T-106-00	
09-103-00		CC-103-19.5	42 pieces	19.5 mm	60T-101-00	
					60T-103-00	
					60T-104-00	
					60T-106-00	
					60T-153-00	
09-103-00		CC-103-26.9	30 pieces	26.9 mm	60T-106-00	
					60T-202-00	
					60T-252-00	
09-103-00		CC-103-26.5	50 pieces	26.5 mm	40C-206-00	

SPECIAL EXTRUDED CORNER JOINT FOR PERIMETRIC

When you use PVC accessories with these Frames

60T-101-00 / 60T-103-00 / 60T-104-00 / 60T-107-00

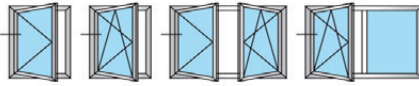
Use this corner joint

This corner joint for only Aubi A300 & GU Uni jet D

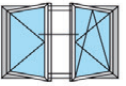
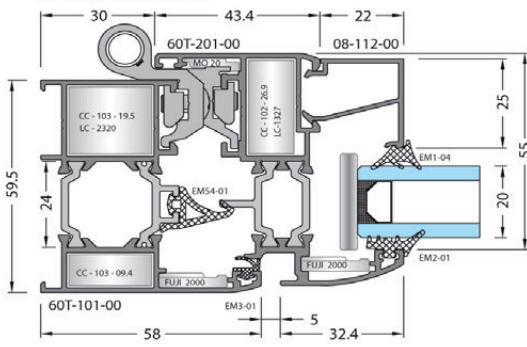
PROFILE CODE	DRAWING	PACKAGE CODE	QUANTITY	CUTTING SIZE	APPLICATION PROFILES	APPLICATION DETAIL
09-156-00		CC-156-19.5	42 pieces	19.5 mm	60T-101-00	
					60T-103-00	
					60T-104-00	
					60T-107-00	

MULLION CONNECTION PROFILES

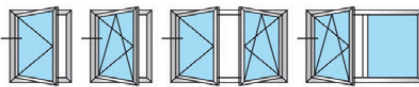
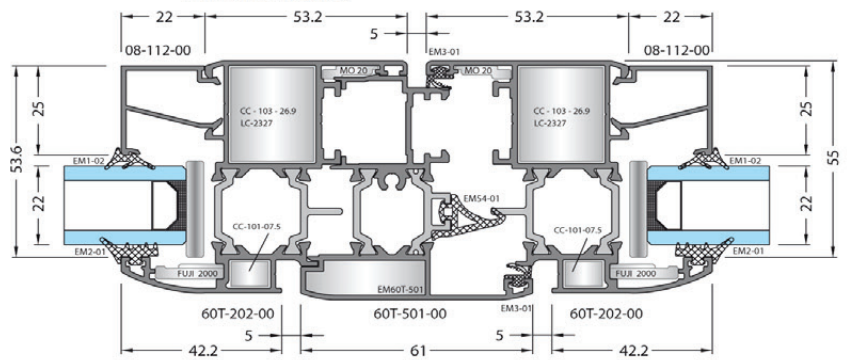
PROFILE CODE	DRAWING	PACKAGE CODE	QUANTITY	CUTTING SIZE	APPLICATION PROFILES	APPLICATION DETAIL
60T-302-00		CC-115-22.5	94 pieces	22.5 mm	60T-302-00	
60T-302-00		CC-116-22.5	156 pieces	22.5 mm	60T-302-00	
60T-401-00		CC-116-66.4	156 pieces	66.4 mm	60T-401-00	
60T-401-00		CC-116-63.9	156 pieces	63.9 mm	60T-401-00	



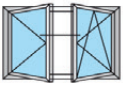
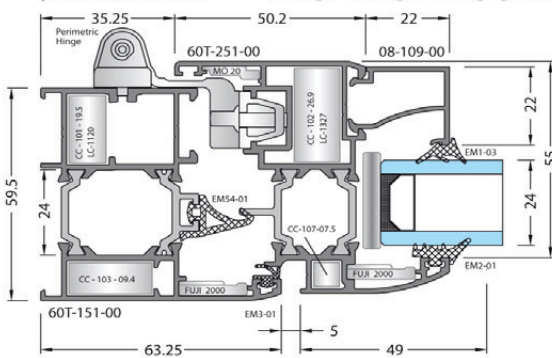
aluminium details



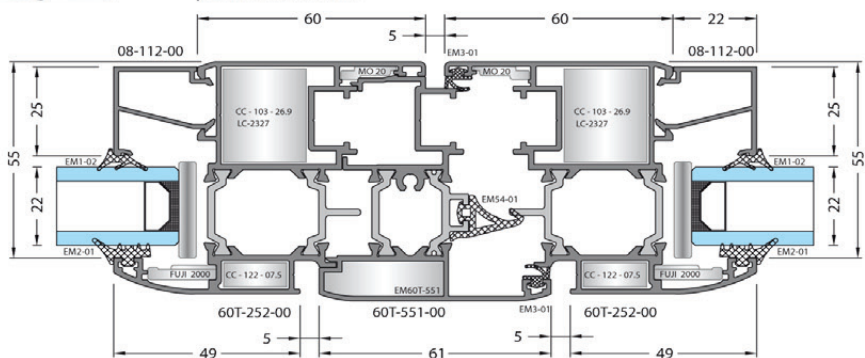
aluminium details



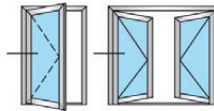
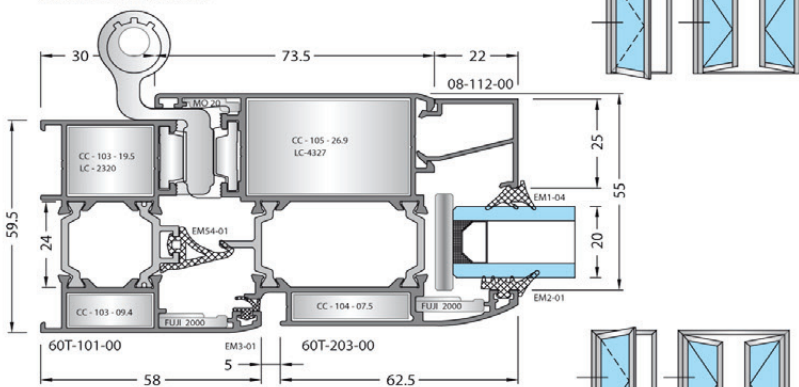
perimetric details



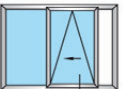
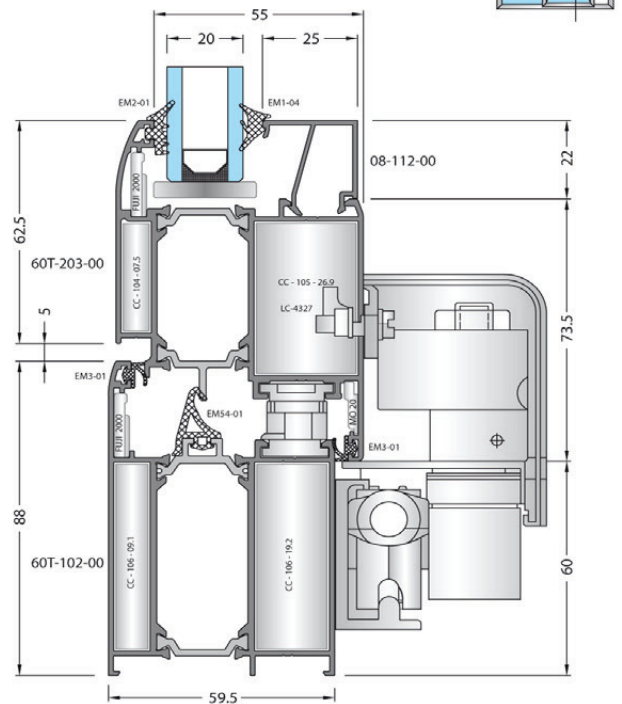
perimetric details



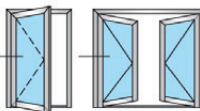
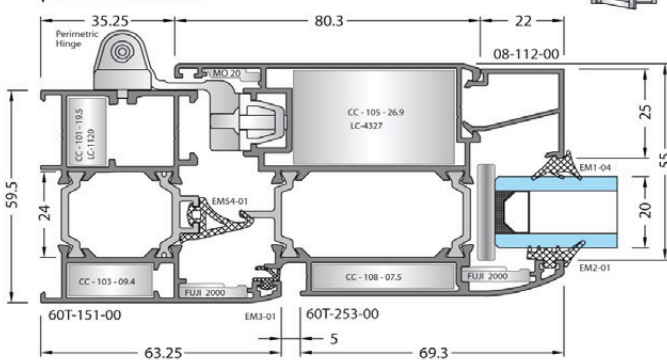
aluminium details



aluminium details



perimetric details



alutteams
Aluminium Profile Systems

www.aluteams.com

aluteams
Aluminium Profile Systems